

ADV\_REF is analogue reference voltage for the ADC  
 Default is 3.3V selected by R8 on A5 CM  
 Remove R8 on A5 CM if different reference voltage is required

1

1

2

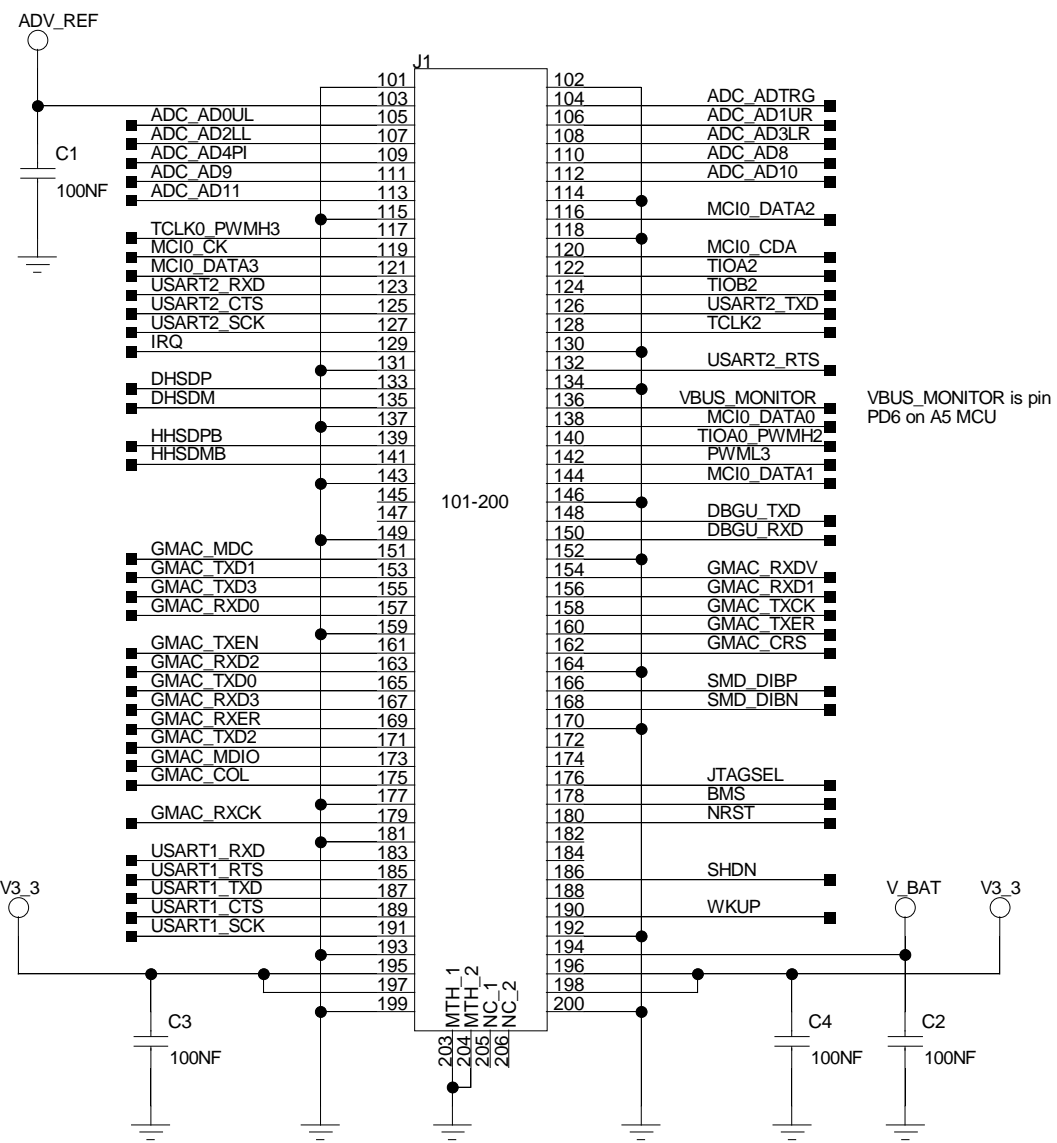
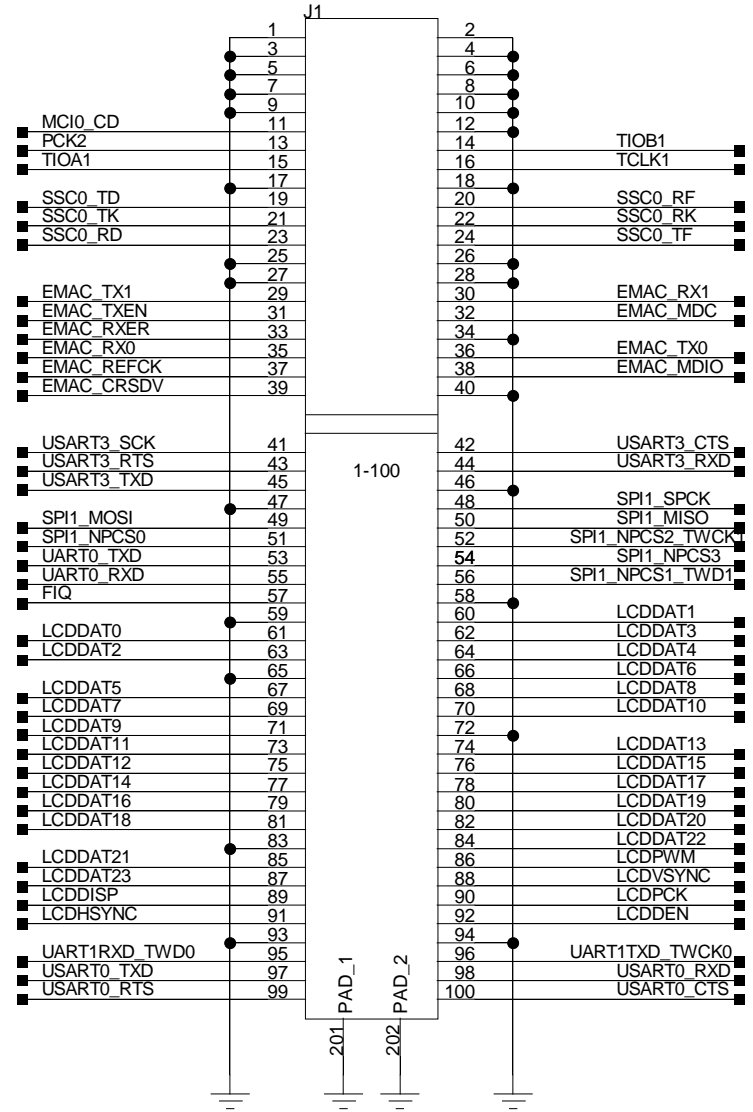
2

3

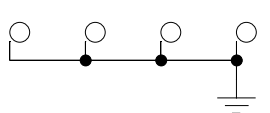
3

4

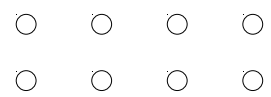
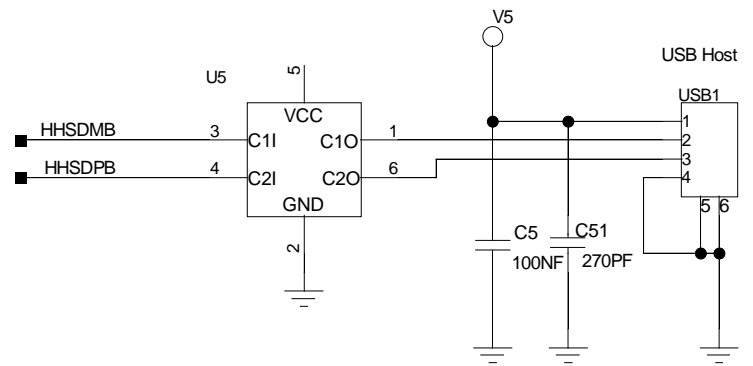
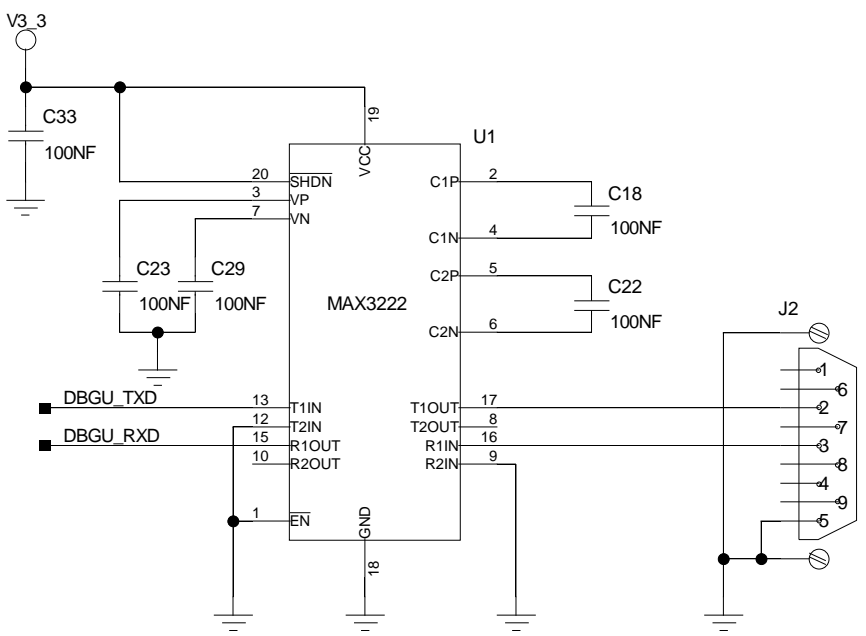
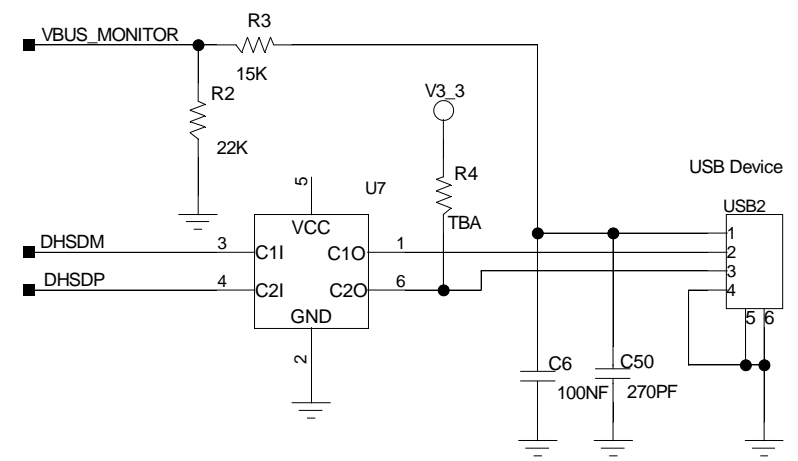
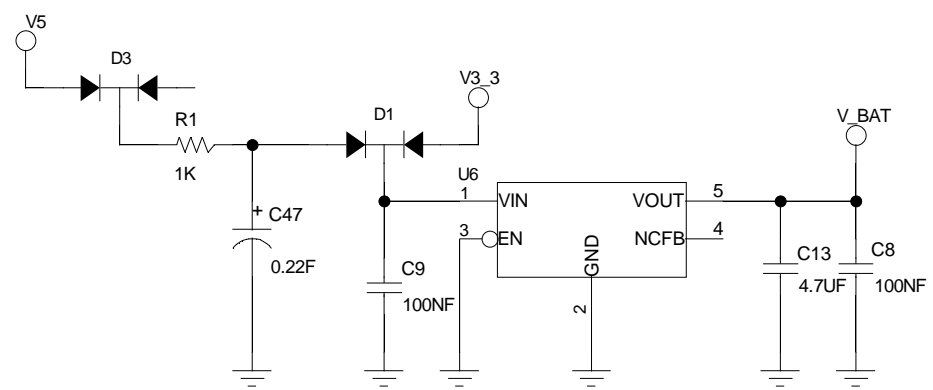
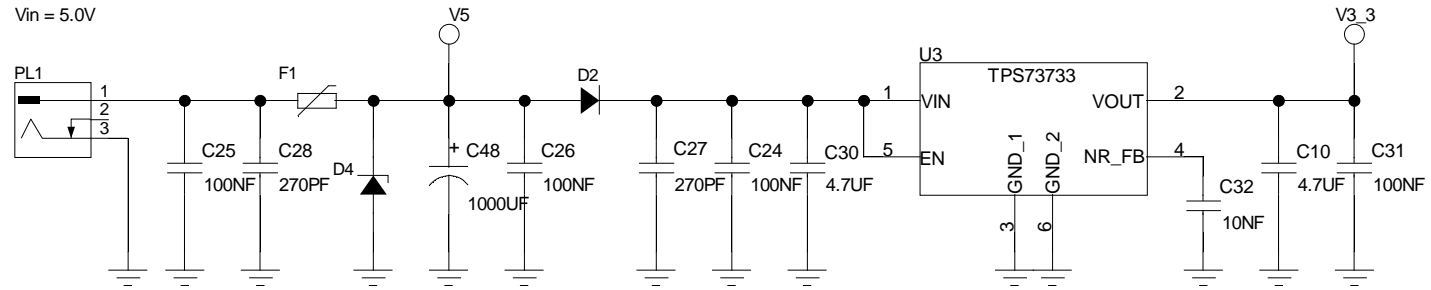
4



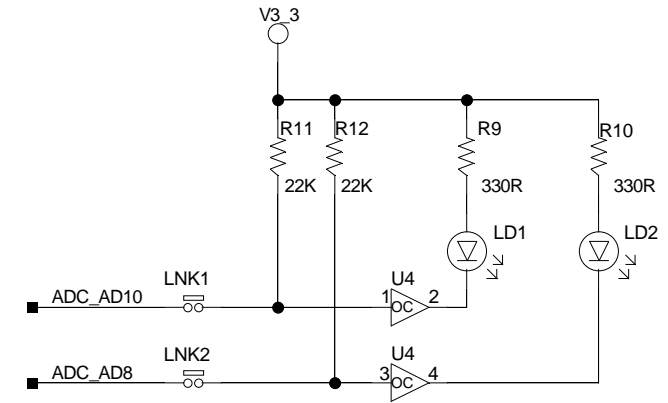
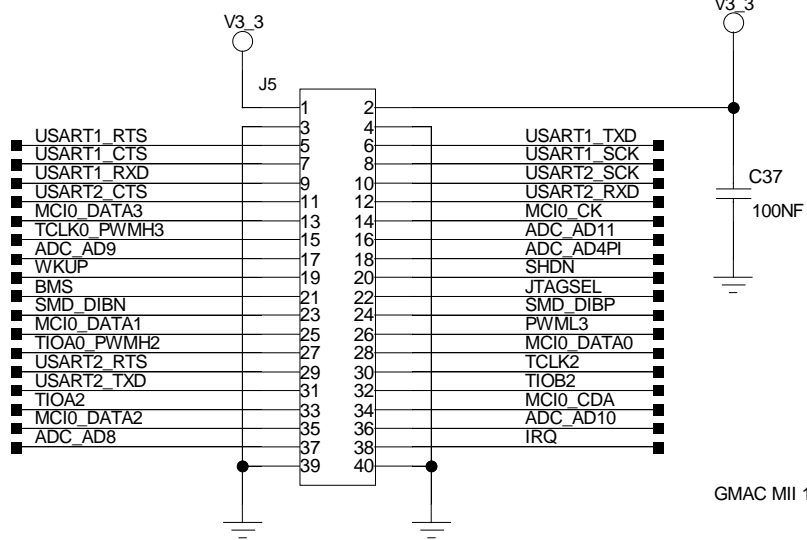
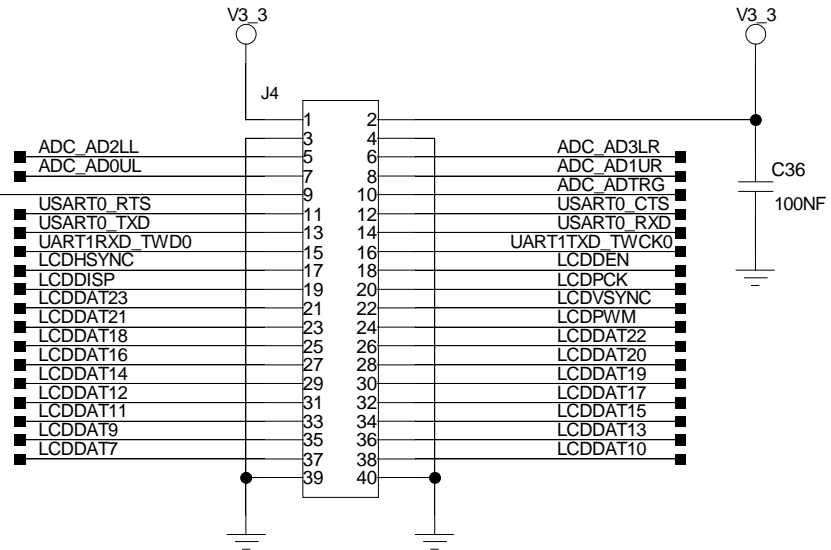
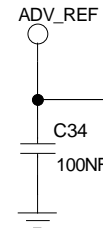
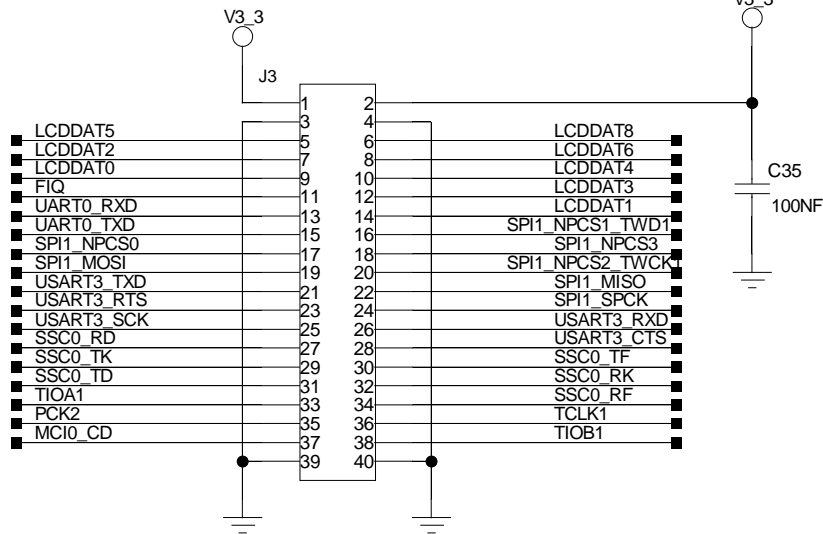
VBUS\_MONITOR is pin PD6 on A5 MCU



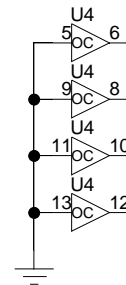
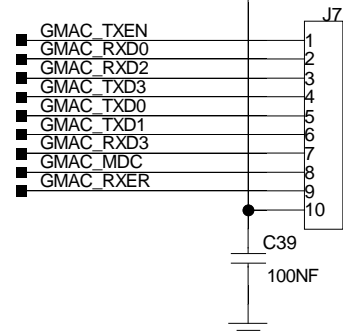
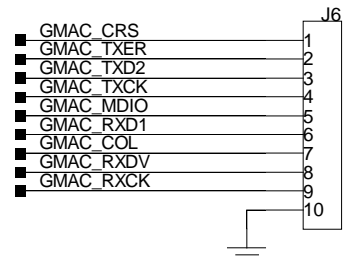
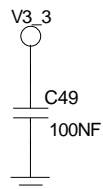
This design is a property of Keystone Electronic Solutions		Designed by Keystone Electronic Solutions	
Title: SODIMM		469 Julius Jeppe street Pretoria, South Africa	
Size A4	Sheet 1 of 4	Rev: ISS2	Tel:+2712 4604135
Date: 17/12/2014:08:51		fax:+2712 4608719	
Product: A5_MB		www.kses.net	
		Design Eng. Ivan Popov	



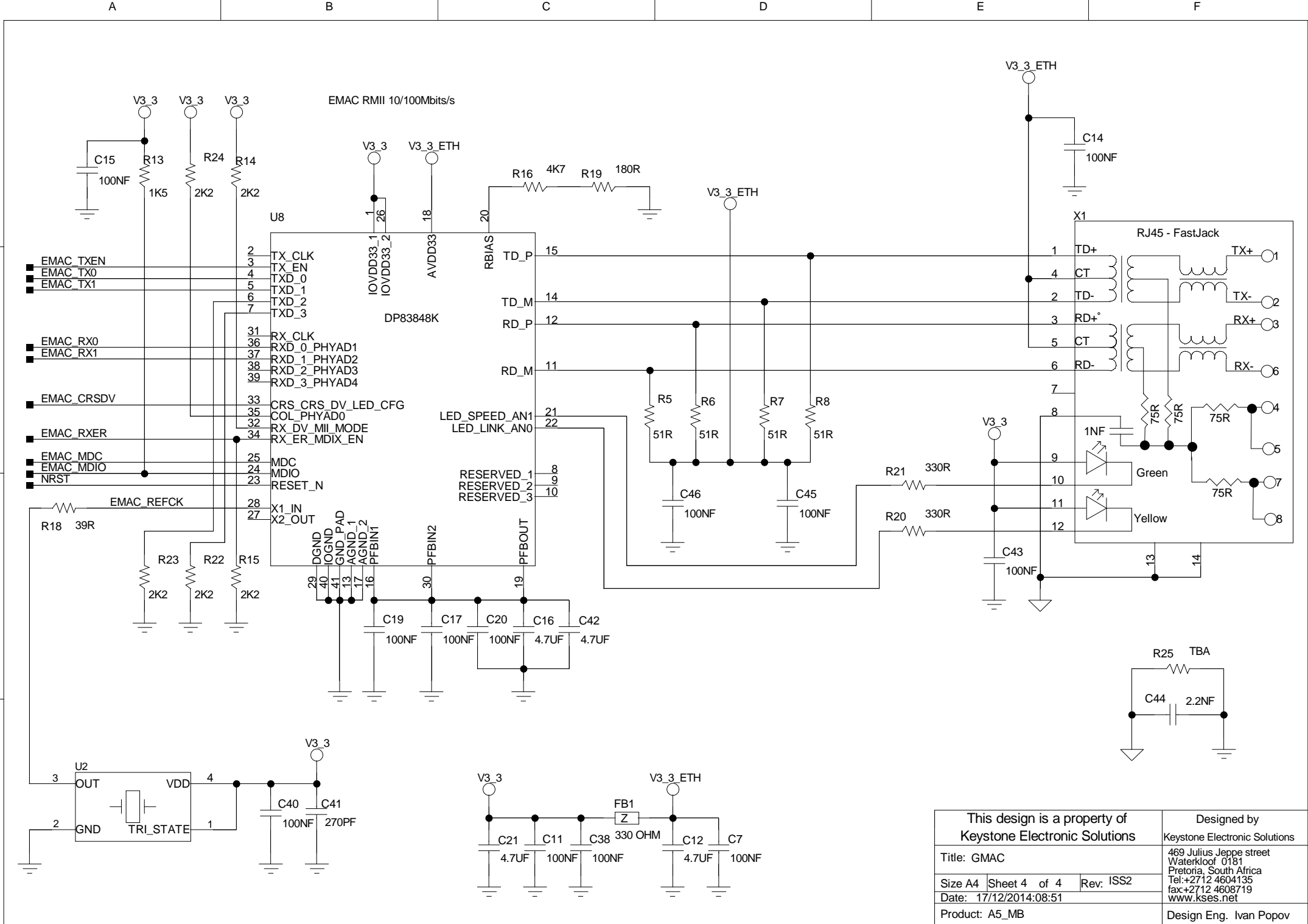
This design is a property of <b>Keystone Electronic Solutions</b>			Designed by Keystone Electronic Solutions
Title: PSU_USB_UART			469 Julius Jeppe street Waterkloof 0181 Pretoria, South Africa
Size A4	Sheet 2 of 4	Rev: ISS2	Tel:+2712 4604135 fax:+2712 4608719 www.kses.net
Date: 17/11/2015:14:21			Design Eng. Ivan Popov
Product: A5_MB			



GMAC MII 10/100Mbps/s



This design is a property of Keystone Electronic Solutions		Designed by Keystone Electronic Solutions
Title: HEADERS		469 Julius Jeppe street Waterkloof 0181 Pretoria, South Africa Tel:+2712 4604135 fax:+2712 4608719 www.kses.net
Size A4	Sheet 3 of 4	Rev: ISS2
Date: 17/12/2014:08:51		
Product: A5_MB		Design Eng. Ivan Popov



This design is a property of Keystone Electronic Solutions		Designed by Keystone Electronic Solutions
Title: GMAC		469 Julius Jeppe street Waterkloof 0181 Pretoria, South Africa
Size A4 Sheet 4 of 4	Rev: ISS2	Tel:+2712 4604135
Date: 17/12/2014:08:51		fax:+2712 4608719
Product: A5_MB		www.kses.net
		Design Eng. Ivan Popov